



Current carrying capacity

The current carrying is limited by maximum temperature of materials for inserts and contacts including terminals.
Control and test procedures according to DIN IEC 605 12-3.

Specifications

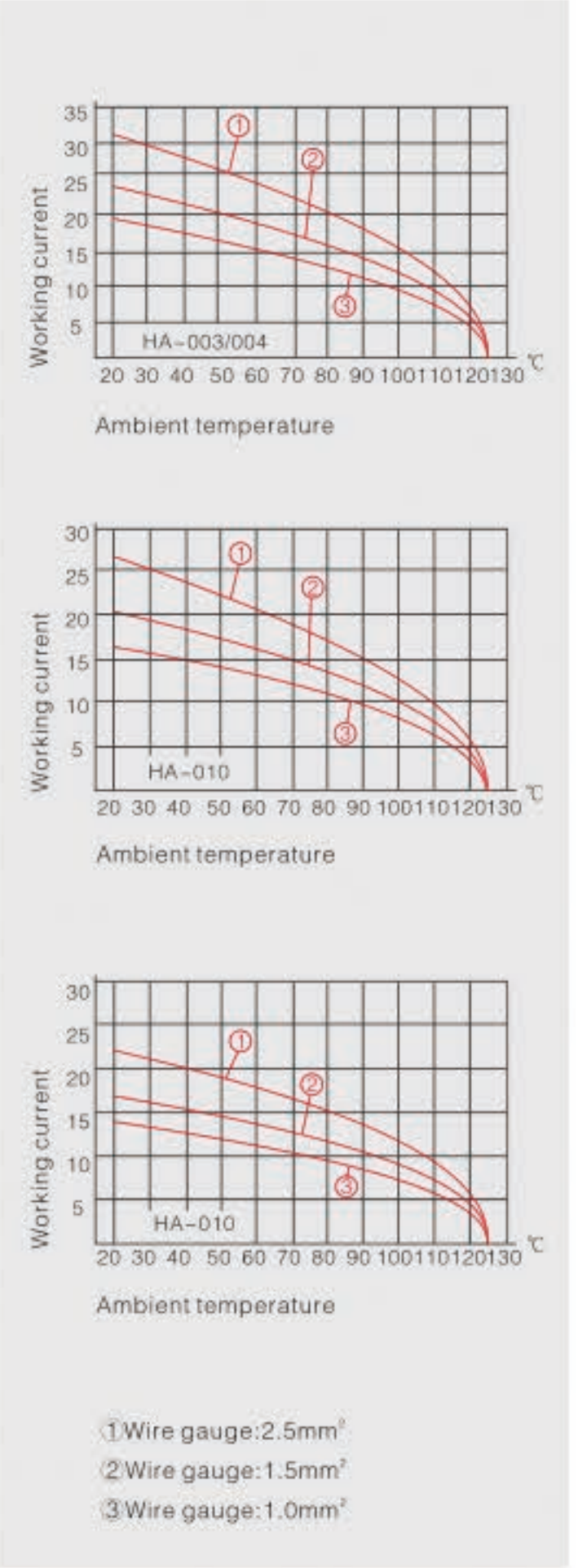
DIN VDE 0627
DIN VDE 0110
DIN EN 61984

Inserts

Number of contacts	3, 4, 10, 16, 32(2x16)
HA-003/004	+PE
Working current (See current carrying capacity)	10A
Working voltage	
HA-010/01	230/400V
Working current (See current carrying capacity)	16A
Working voltage	250V
Pollution degree	3
Rated impulse voltage	4KV
Insulation resistance	≥ 10 ¹⁰ Ω
Material	Polycarbonate
Temperature range	-40°C...+125°C
(UL94)Flammability acc. to (UI94)	V0
According to UL/CSA Working voltage acc. to UL/CSA	600V
Mechanical working life(mating cycles)	≥ 500

Contacts

Material	Copper alloy
Surface	Hard silver-plated
Contact resistance	≤ 1mΩ
Terminal	
● Screw terminal	
Wire gauge	1.0-2.5mm ² AWG 18-14
Tightening torque	0.25Nm(HA-003/004) or 0.5Nm(HA-010/016)
● Crimp terminal	
Wire gauge	0.14-4.0mm ² AWG 26-12



CHIQUI HA series compact standard type

HA Series 3 Poles of connector

ORDER NO.	HDC-HA-003-1	HDC-HA-003-2	HDC-HA-003-3	HDC-HA-003-4	HDC-HA-003-5
A	H3A-MTS	H3A-MTG	H3A-MTS	H3A-MTG	H3A-MTG
B	HA-003-M	HA-003-M	HA-003-M	HA-003-M	HA-003-M
C	HA-003-F	HA-003-F	HA-003-F	HA-003-F	HA-003-F
D	H3A-MAG	H3A-MAG	H3A-MAGSV	H3A-MAGSV	H3A-MTGV

Note: Complete sets include A, B, C, D(A means top hood/cover, B means male part, C means Female part, D means base housing)

HA Series 4 Poles of connector

ORDER NO.	HDC-HA-004-1	HDC-HA-004-2	HDC-HA-004-3	HDC-HA-004-4	HDC-HA-004-5
A	H3A-MTS	H3A-MTG	H3A-MTS	H3A-MTG	H3A-MTG
B	HA-004-M	HA-004-M	HA-004-M	HA-004-M	HA-004-M
C	HA-004-F	HA-004-F	HA-004-F	HA-004-F	HA-004-F
D	H3A-MAG	H3A-MAG	H3A-MAGSV	H3A-MAGSV	H3A-MTGV

CHIQUI How to order

For a complete connector components may be order from the following sub headings

Male insert

Male insert with screw terminal, crimp terminal (order contactsseparately) or cage-clamp terminal.

Female insert

Female insert with screw terminal, crimp terminal (order contactsseparately) or cage-clamp terminal.

Hoods

Hoods with low or high construction, side or top cable entry, 2 or 4 bolts, 1 or 2 locking levers.

Housings

Bulkhead mounting housings with or without protection cover, 1 or 2 locking levers.
Surface mounting housings with low or high construction, with or without protection cover, 2 or 4 bolts, 1 or 2 locking levers, 1 or 2 cable entries.

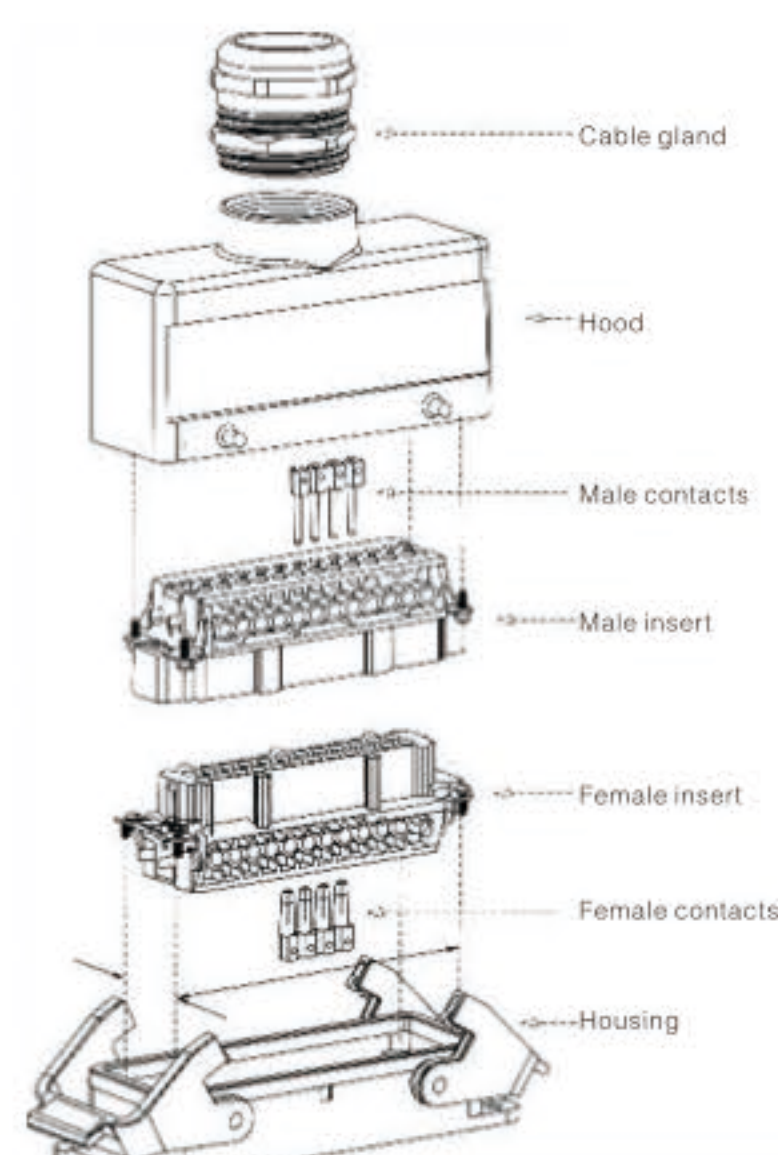
Cable entry protection

Cable glands with normal or multiple sealing.
Metal or plastic cable glands.
Special cable entry protection or extensive range of accessories.

Accessories.

Protection cover available, code and guide pins for coding. Inserts fixing screws for use without hoods and housings.

Assembly details.



List of hoods and housings

H24B - SGR - LB - PG21

- PG21 Thread
- Single locking lever
- Surface mounting housing
- Series

- AG → Bulkhead mounting housing
- AG-LB → Bulkhead mounting housing with single locking lever
- AD-BO → Bulkhead mounting housing with cover, bolts
- AD-LB → Bulkhead mounting housing with cover, single locking lever
- SGR → Surface mounting housing
- SDR H → Surface mounting housing with cover
- TS → Side entry hood
- TS H → High construction side entry hood
- TG → Top entry hood
- TG H → High construction top entry hood
- TSB → Side entry, double locking lever hood
- TGB → Top entry, double locking lever hood
- TBF → Cable coupler hood

HA series compact standard type CHIQUI

HA Series 10 Poles of connector

ORDER NO.	HDC-HA-010-1 Side entry	HDC-HA-010-2 Top entry	HDC-HA-010-3 Surface mounted	HDC-HA-010-4 Surface mounted	HDC-HA-010-1DB Bulk Head mounted	HDC-HA-010-2DB Bulk Head mounted
A	H10A-TS-2B	H10A-TG-2B	H10A-TS-2B	H10A-TG-2B	H10A-TS-2B	H10A-TG-2B
B	HA-010-M	HA-010-M	HA-010-M	HA-010-M	HA-010-M	HA-010-M
C	HA-010-F	HA-010-F	HA-010-F	HA-010-F	HA-010-F	HA-010-F
D	H10A-AG-LB	H10A-AG-LB	H10A-SGR-LB	H10A-SGR-LB	H10A-AD-LB	H10A-AD-LB

Note: Complete sets include A, B, C, D(A means top hood/cover, B means male part, C means Female part, D means base housing)

HA Series 16 Poles of connector (With 1 buckle)

ORDER NO.	HDC-HA-016-1 Side entry	HDC-HA-016-2 Top entry	HDC-HA-016-3 Surface mounted	HDC-HA-016-4 Surface mounted	HDC-HA-016-1DB Bulk Head mounted	HDC-HA-016-2DB Bulk Head mounted
A	H16A-TS-2B	H16A-TG-2B	H16A-TS-2B	H16A-TG-2B	H16A-TS-2B	H16A-TG-2B
B	HA-016-M	HA-016-M	HA-016-M	HA-016-M	HA-016-M	HA-016-M
C	HA-016-F	HA-016-F	HA-016-F	HA-016-F	HA-016-F	HA-016-F
D	H16A-AG-LB	H16A-AG-LB	H16A-SGR-LB	H16A-SGR-LB	H16A-AD-LB	H16A-AD-LB

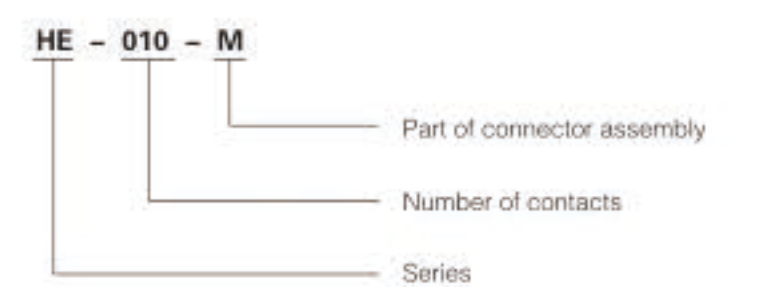
Selection guide CHIQUI

When selecting heavy duty connector, we need to choose as follow

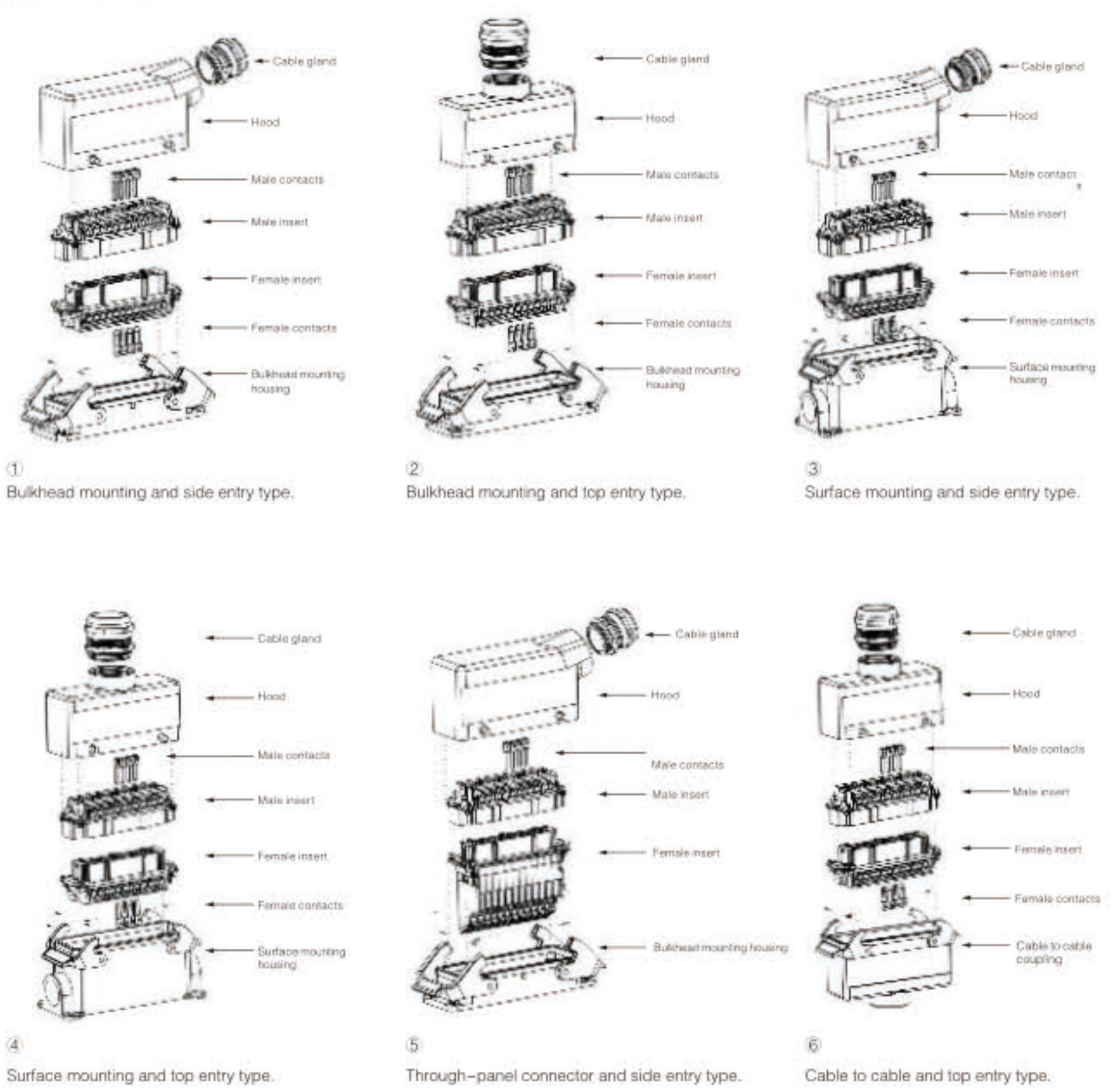
- ◆ Rated voltage and current
- ◆ Poles of connector
- ◆ Choosing hood and housing type
- ◆ Accessories(selecting cable gland)

Type explanation

I.e.: HE-010-M means male insert of 10 poles in HE series.



Set general overview



All sets shown above with one lever types.