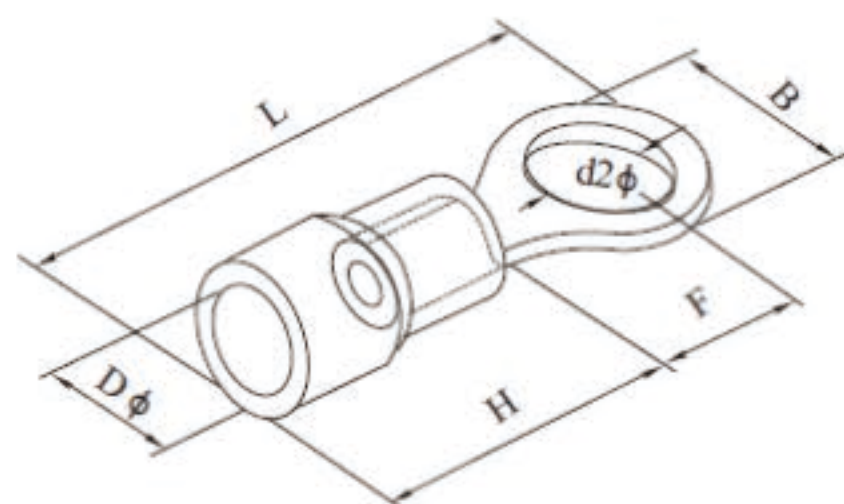


# RV series insulation terminal



Wire section area	Item NO.	AWG	Screw dia. d2(mm)	Dimension					Color
				B (mm)	L (mm)	F (mm)	H (mm)	D φ (mm)	
0.5~1.5mm <sup>2</sup> (22~16AWG) I <sub>max</sub> =19A	RV1.25-3	#4	3.2	5.7	17.8	4.95	10.0	4.3	red
	RVS1.25-3.5	#6	3.7	5.7	17.8	4.95			
	RVM1.25-3.5	#6	3.7	6.6	20.1	6.3			
	RVL1.25-3.5	#6	3.7	8.0	21.5	7.0			
	RVS1.25-4	#8	4.3	6.6	20.1	6.3			
	RVL1.25-4	#8	4.3	8.0	21.5	7.0			
	RV1.25-5	#10	5.3	8.0	21.5	7.0			
	RV1.25-6	1/4	6.5	11.6	27.5	11.1			
	RV1.25-8	5/16	8.4	11.6	27.5	11.1			
	RV1.25-10	3/8	10.5	13.6	31.6	13.9			
1.5~2.5mm <sup>2</sup> (16~14AWG) I <sub>max</sub> =27A	RV2-3	#4	3.2	6.6	17.8	4.3	10.0	4.9	blue
	RVS2-3.5	#6	3.7	6.6	17.8	4.3			
	RVM2-3.5	#6	3.7	6.6	21.0	7.0			
	RVL2-3.5	#6	3.7	8.5	22.5	7.75			
	RVS2-4	#8	4.3	6.6	21.0	7.0			
	RVL2-4	#8	4.3	8.5	22.5	7.75			
	RVS2-5	#10	5.3	8.5	22.5	7.75			
	RVL2-5	#10	5.3	9.5	22.5	7.25			
	RV2-6	1/4	6.5	12.0	27.6	11.0			
	RV2-8	5/16	8.4	12.0	27.6	11.0			
	RV2-10	3/8	10.5	13.6	30.2	13.9			
2.5~4mm <sup>2</sup> (14~12AWG) I <sub>max</sub> =37A	RV3.5-4	#8	4.3	8.0	24.5	7.7	12.5	6.2	black
	RVS3.5-5	#10	5.3	8.0	24.5	7.7			
	RVL3.5-5	#10	5.3	12.0	27.9	7.7			
	RV3.5-6	1/4	6.5	12.0	27.9	7.7			
4~6mm <sup>2</sup> (12~10AWG) I <sub>max</sub> =48A	RV5.5-3.5	#6	3.7	7.2	21.4	5.9	12.5	6.7	yellow
	RVS5.5-4	#8	4.3	7.2	21.5	5.9			
	RVL5.5-4	#8	4.3	9.5	25.5	8.3			
	RV5.5-5	#10	5.3	9.5	25.5	8.3			
	RV5.5-6	1/4	6.5	12.0	31.5	13.0			
	RV5.5-8	5/16	8.4	15.0	33.7	13.7			
	RV5.5-10	3/8	10.5	15.0	33.7	13.7			
	RV5.5-12	1/2	13.0	19.2	38.1	16.0			