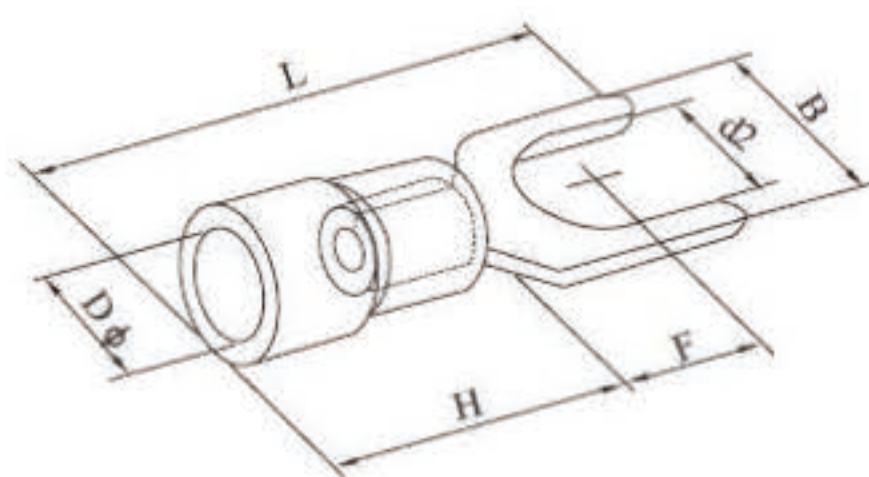
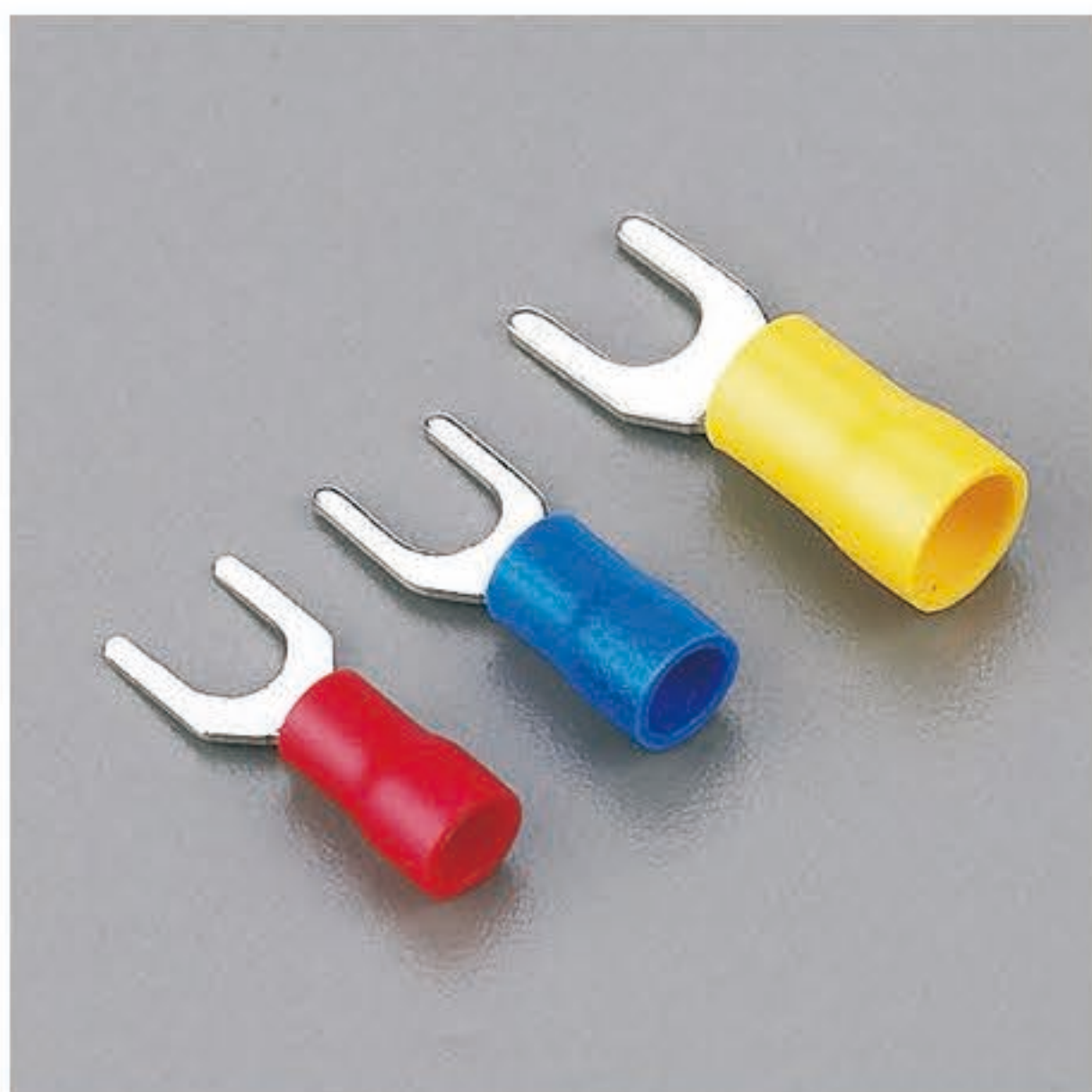


## SV series insulation terminals



Wire section area	Item NO.	AWG	Screw dia. d2(mm)	Dimension					Color
				B (mm)	L (mm)	F (mm)	H (mm)	D φ (mm)	
0.5~1.5mm <sup>2</sup> (22~16AWG) I <sub>max</sub> =19A	SV1.25-3	#4	3.2	5.7	21.2	6.5	10.0	4.3	red
	SVS1.25-3.5	#6	3.7	5.7	21.2	6.5			
	SVL1.25-3.5	#6	3.7	6.4	21.2	6.5			
	SVS1.25-4	#8	4.3	6.4	21.2	6.5			
	SVM1.25-4	#8	4.3	7.2	21.2	6.5			
	SVL1.25-4	#8	4.3	8.1	21.2	6.5			
	SVS1.25-5	#10	5.3	8.1	21.2	6.5			
	SVL1.25-5	#10	5.3	9.5	21.2	6.5			
	SVS1.25-6	1/4	6.5	9.5	21.2	6.5			
	SVL1.25-6	1/4	6.5	12.0	21.2	11.0			
1.5~2.5mm <sup>2</sup> (16~14AWG) I <sub>max</sub> =27A	SV2-3	#4	3.2	5.7	21.2	6.5	10.0	4.9	blue
	SVS2-3.5	#6	3.7	5.7	21.2	6.5			
	SVL2-3.5	#6	3.7	6.4	21.2	6.5			
	SVS2-4	#8	4.3	6.0	21.2	6.5			
	SVM2-4	#8	4.3	7.2	21.2	6.5			
	SVL2-4	#8	4.3	8.1	21.2	6.5			
	SVS2-5	#10	5.3	8.1	21.2	6.5			
	SVL2-5	#10	5.3	9.5	21.2	6.5			
	SVS2-6	1/4	6.5	9.5	21.2	11.0			
	SVL2-6	1/4	6.5	12.0	21.2	7.0			
2.5~4mm <sup>2</sup> (14~12AWG) I <sub>max</sub> =37A	SV3.5-4	#8	4.3	8.0	24.8	7.0	12.5	6.2	black
	SV3.5-5	#10	5.3	8.0	24.8	12.1			
	SV3.5-6	1/4	6.5	12.0	28.0	7.5			
4~6mm <sup>2</sup> (12~10AWG) I <sub>max</sub> =48A	SV5.5-3.5	#6	3.7	8.3	25.2	7.5	12.5	6.7	yellow
	SVS5.5-4	#8	4.3	8.3	25.2	7.5			
	SVL5.5-4	#8	4.3	9.0	23.9	7.5			
	SV5.5-5	#10	5.3	9.0	23.9	7.5			
	SVS5.5-6	1/4	6.5	9.0	23.9	7.5			
	SVL5.5-6	1/4	6.5	12.0	31.2	12.0			
	SV5.5-8	5/16	8.4	14.0	30.0	11.5			